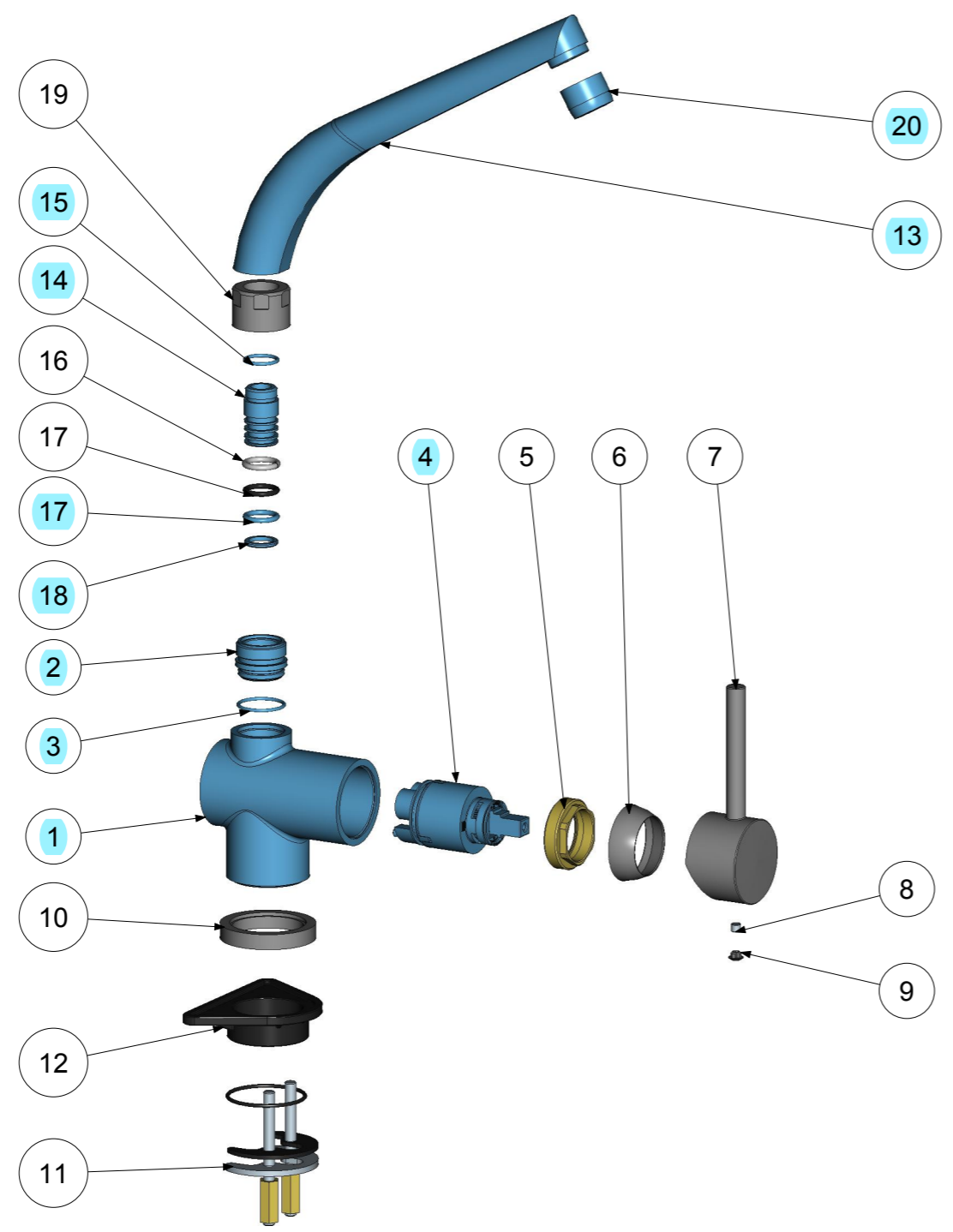
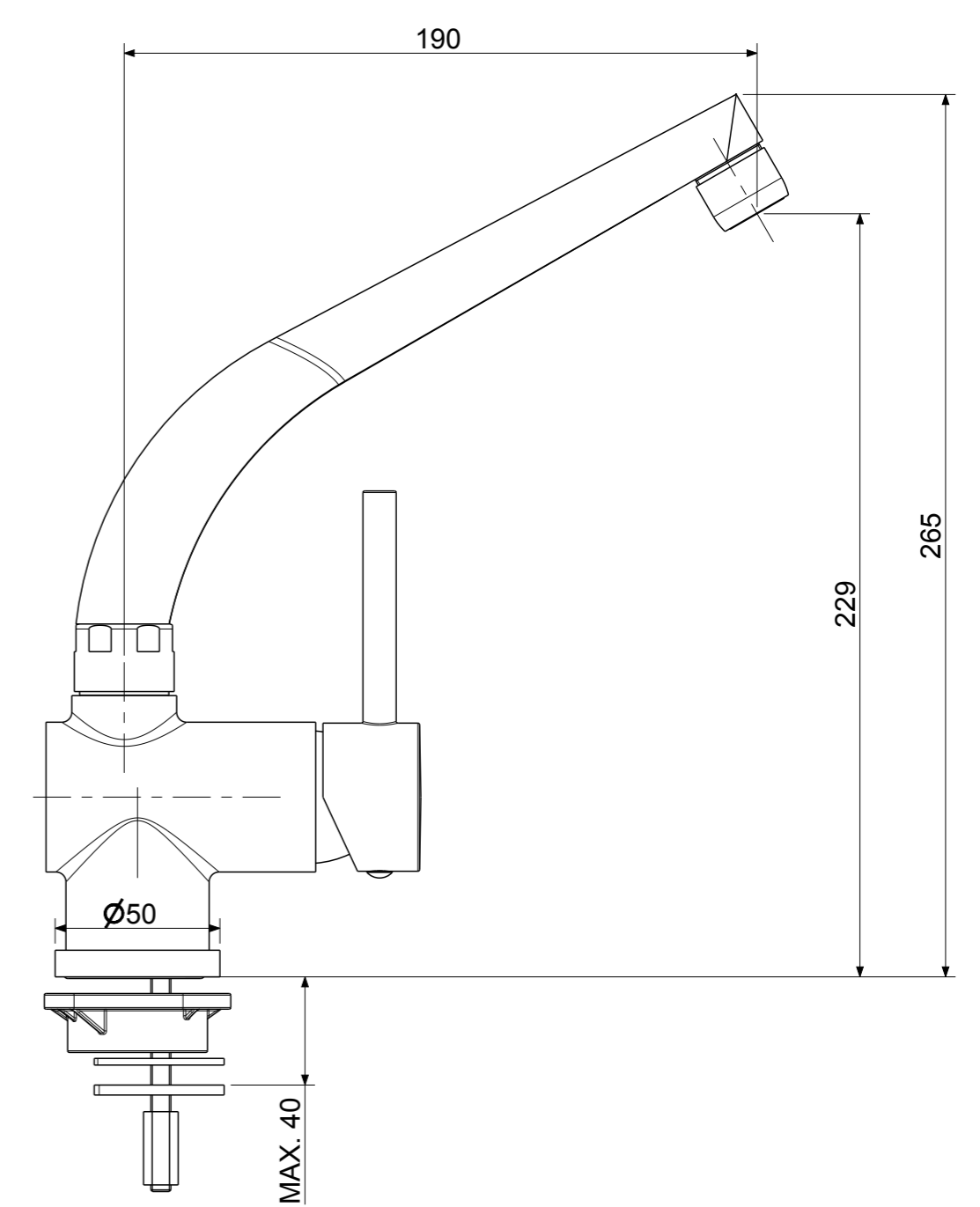


N°	Part Number	Description	Q.ty	Material	Supplier
1	3011050TOSM	Body mixer	1	CW617N	Metalli stampati Cavaletto
2	2041280GR	3/4" connection	1	CW617N	DIPIEMME
3	2091019-OM	Gasket 18,77x1,78	1	NBR 70SH	Morganti / Duci and LavelGomma
4	4071067	Complete cartridge Ø35 with distributor with regulation	1	VARIOUS	Kerox
5	2041630GR	Cartridge fastening ring	1	CW617N	--
6	1000505GR	Metal under lever cover	1	CW617N	--
7	4111160CR	STICK lever	1	ZAMA	--
8	2051108GR	M5x4 screw	1	INOX	--
9	2091105CRN	Lever button	1	ABS	--
10	2041232GR	Brass base	1	CW617N	--
11	8001062	Fixing set	1	VARIOUS	--
12	2081126	ABS fixing base	1	ABS	--
13	3021017TO	Spout	1	CC770S	Strambini & Boroni
14	2041051GR	G3/8" connection	1	CW617N	FOMA
15	2091002-OM	Gasket 8.9x1.9	1	NBR 70SH	Morganti / Duci and LavelGomma
16	2091011	20x3 cut ring	1	PTFE	--
17	2091017-OM	Gasket 12.1x2.7	2	NBR 70SH	Morganti / Duci and LavelGomma
18	2091289	17.35x12.85x2 cut ring	1	POM	Aerre Plast
19	2041045GR	3/4" nut	1	CW617N	--
20	2051009CR	Complete aerator	1	VARI	Amfag



PARTS IN CONTACT WITH WATER

SCALE 0,500



APPROVED:			A3	SCALE	0,300	MATERIAL	VARI
DESIGN:	Giampani	12/02/2020		UNIT	mm	RANGE	STICK
		DESCRIPTION: One hole sink mixer (old body) w/o flex and w/o spout (brass threaded rod)					
SHEET:		Normativa		PART NUMBER:		SK180CR52_ZCANA036	
Rubinetteria Paffoni reserves the ownership of this drawing by law with the prohibition of reproducing it or communicating it to third parties without authorization							