

FlowCon EDP.1 with A DN15/20/25 · 1/2", 3/4", 1"

No.	Reference no.	Description
-----	---------------	-------------

Valve bodies

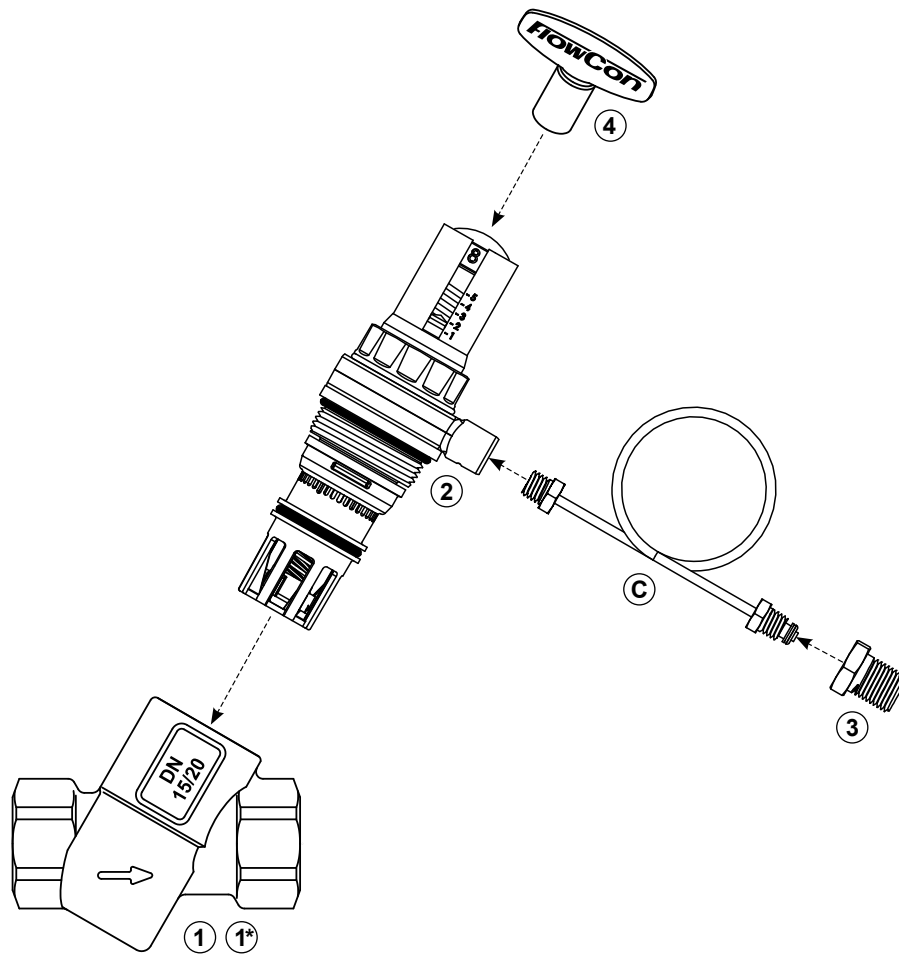
①	Axx.I	Valve body
①*	A25.I.K	Valve body (not shown)

Insert

②	EDP.1	EDP.1 insert incl. capillary tube (C)
---	-------	--

Accessories

③	ACC00121	Union G 1/4" adaptor
④	ACC0001	Adjustment key



FlowCon EDP.1 with AB DN15/20/25 · 1/2", 3/4", 1"

No.	Reference no.	Description
-----	---------------	-------------

Valve bodies

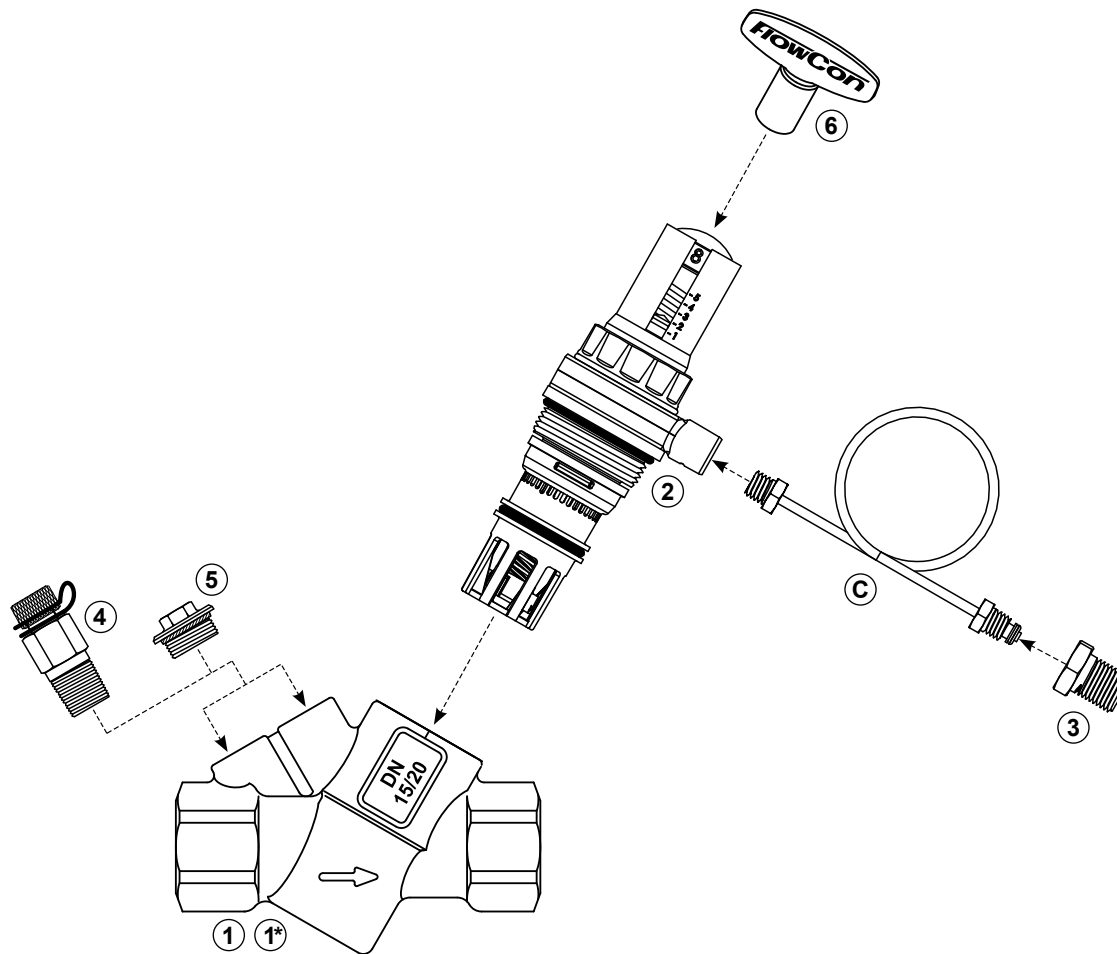
①	ABxx.I	Valve body
①*	AB25.I.K	Valve body (not shown)

Insert

②	EDP.1	EDP.1 insert incl. capillary tube (C)
---	-------	--

Accessories

③	ACC00121	Union G 1/4" adaptor
④	2 x ACC00101	P/t plug
⑤	2 x ACC1B03000	Plug
⑥	ACC0001	Adjustment key



FlowCon EDP.1 with ABV1 DN15/20/25 · 1/2", 3/4", 1"

No. Reference no. Description

Valve body

① ABV1 Valve body

Insert

② EDP.1 EDP.1 insert
incl. capillary tube (C)

Accessories

③ ACC00121 Union G 1/4" adaptor
④ 1C000xx Male union end conn.
15-25mm (1/2"-1")
⑤ 1C000xx Female union end conn.
15-20mm (1/2"-3/4")
⑥ 1C000xx Sweat union end conn.
15-22mm
⑦ 2 x ACC00101 P/t plug
⑧ 2 x ACC1B03000 Plug
⑨ ACC0001 Adjustment key

